



CERRO POWER

SHENZHEN CERRO POWER COMPANY LTD

SPECIFICATION

LIR2032

文件编号: CP-LIR2032-2009D1

版 次: D1

编写日期: 2014-07-18

SHENZHEN CERRO POWER COMPANY LTD

Add: Room4D, Luhua Building, Guangxia Road, Futian District, Shenzhen, China 518109

www.cerropower.com Email: sales@cerropower.com ; cinda@126.com

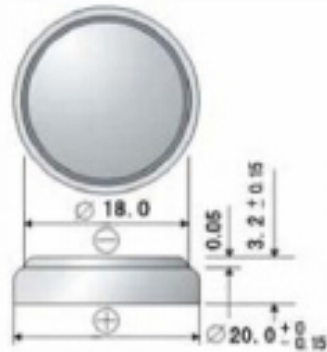
Tel: 86- 135 1082 7543 ; 86-755-8311 9966 Fax: +86-755-8311 998

CERRO POWER reserve the right to modify product specification without prior notice

(Information in the document is just for reference, not for guarantee of battery performance)

LIR2032 Rechargeable Li-ion Button Cell

TECHNICAL DATA



外形尺寸 Dimensions(mm)
 高度 Height: 3.2mm
 直径 Diameter: 20.0mm

Model	Nominal Voltage	Nominal Capacity	Recommended Continuous	Recommended pulse Drain	Weight
LIR2032	3.6V	45 ± 5mAh	1CmA	2CmA	3.1g

TECHNICAL CHARACTERISTICS

